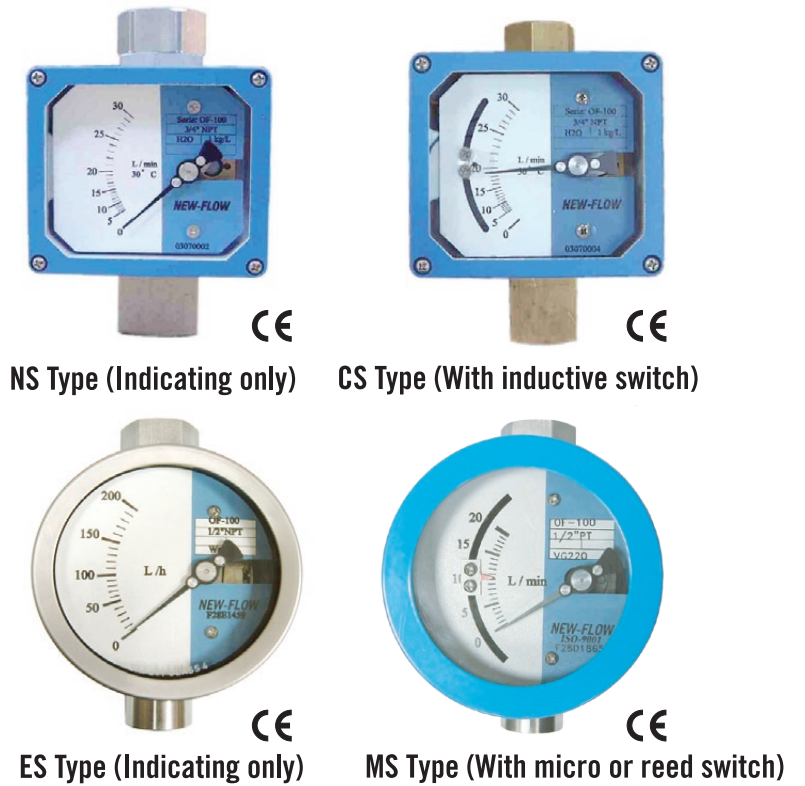
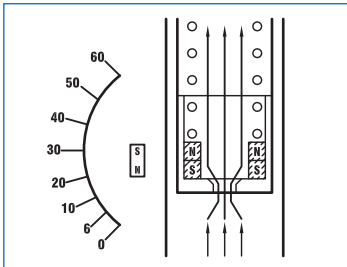


# FLOW SWITCH AND INDICATOR OF100 SERIES

## Technical Data

**Piston type for high viscosity**  
**Fluid:** Water, oil, other liquid available; Gases  
**Flow Range:** 15~24,000 l/h (at Water) ; 0.4~600 Nm<sup>3</sup>/h (at Air)  
**Accuracy:** ±3% F.S, On request: ±2.5% F.S  
**Size:** ¼" to 2½"  
**Connection Type:** NPT, Flange type on request  
**Working Limits:** Temperature: -40°C to +180°C  
**Working Pressure:** 30 kg/cm<sup>2</sup>  
 Option-100 kg/cm<sup>2</sup> for 1" or less  
 Option-200 kg/cm<sup>2</sup> for 1½" or bigger  
**Protection Class:** IP65, Explosion proof  
**Housing Material:** NS, CS, MS type-Aluminum Alloy  
 ES type-SS316  
**Lens Material:** Safety glass  
**Mounting:** Vertical, Horizontal available  
**Material:** Wetted parts SS316; Teflon lining float for Gases application  
**Alarm Switch:** Micro switch, Inductive switch available

## Principle



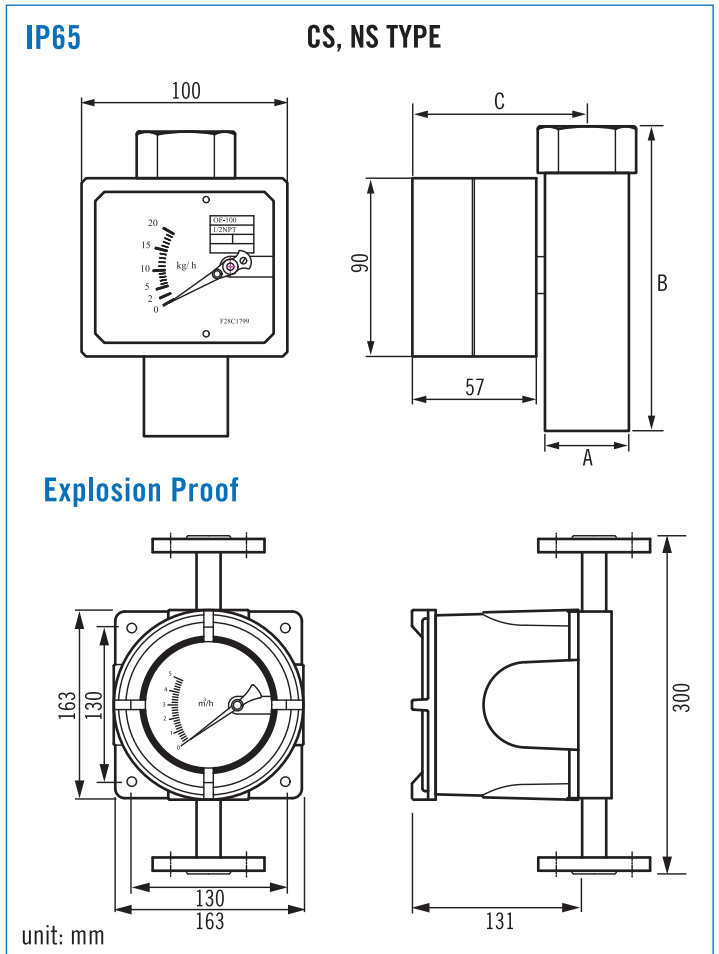
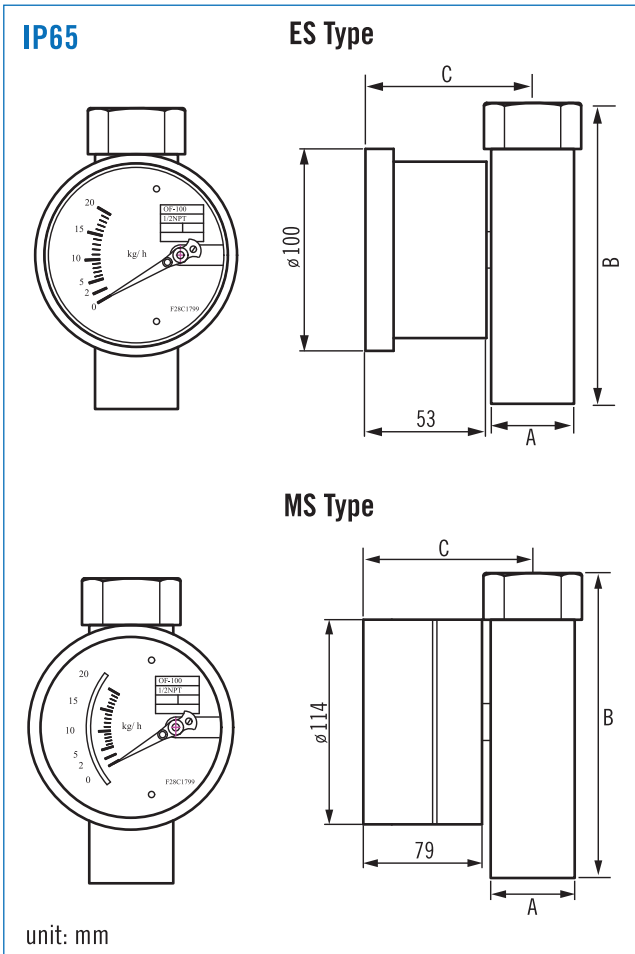
NS Type (Indicating only)

CS Type (With inductive switch)

ES Type (Indicating only)

MS Type (With micro or reed switch)

## Dimensions

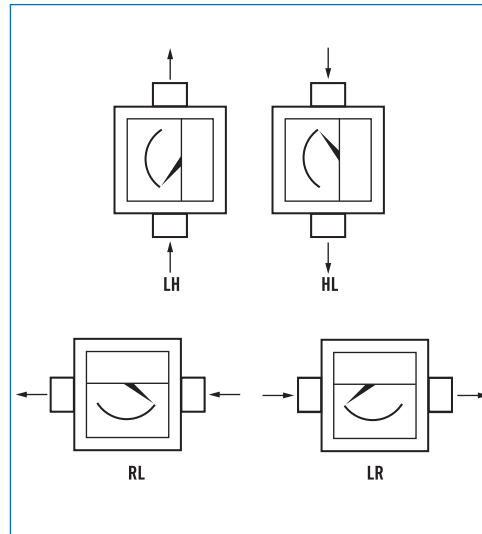




## Standard Scales

Tube	L/H Water 20°C	NM <sup>3</sup> /H Air 20°C 1.013bar	A	B	C	BSP/ NPT
OF101	15 ~ 70	—		150		1/4"
OF102	18 ~ 80	0.4 ~ 2		150		1/4"
OF103	20 ~ 100	0.5 ~ 2.5		150		1/4"
OF104	25 ~ 125	0.6 ~ 3.2		150		1/4"
OF105	30 ~ 150	0.75 ~ 3.8		150		1/4"
OF106	40 ~ 210	1 ~ 5		150		1/2"
OF107	60 ~ 330	1.5 ~ 7.5		150		1/2"
OF108	70 ~ 400	1.6 ~ 8		150		1/2"
OF109	120 ~ 650	3 ~ 15		150		1/2"
OF110	160 ~ 800	4 ~ 20		150		1/2"
OF111	190 ~ 950	4.8 ~ 24		150		1/2"
OF112	250 ~ 1250	6.4 ~ 32		150		1/2"
OF113	300 ~ 1600	8 ~ 40		150		3/4"
OF114	350 ~ 1900	10 ~ 50		150		3/4"
OF115	500 ~ 2700	13 ~ 65		150		3/4"
OF116	700 ~ 3500	18 ~ 90		150		1"
OF117	600 ~ 4500	14 ~ 110		160		1 1/2"
OF118	800 ~ 6000	20 ~ 150		160		1 1/2"
OF119	900 ~ 7000	23 ~ 175		160		1 1/2"
OF120	1200 ~ 9600	30 ~ 240		160		1 1/2"
OF121	1600 ~ 13200	40 ~ 330		160		2"
OF122	2000 ~ 16200	50 ~ 400		160		2 1/2"
OF123	3000 ~ 24000	75 ~ 600		160		2 1/2"

## Flow Direction Type



## Ordering Information

OF100	Code	Type	Code	Connection size
	NS	Indicating only (Housing—Aluminum Alloy)	1	1/4"
	ES	Indicating only (Housing—SS316)	2	1/2"
	CS	With inductive switch	3	3/4"
	MS	With Micro switch	4	1"
	RS	With Reed switch	5	1-1/2"
	GT	Indicating + 4~20mA (no alarm switch available)	6	2"
			7	2-1/2"
	<b>Code</b>	<b>Switch</b>		
	0	Without alarm switch		
	C1	One inductive alarm switch		
	C2	Two inductive alarm switches		
	M1	One Micro alarm switch		
	R1	One reed switch		
	R2	Two reed switches		
	<b>Code</b>	<b>Body Material</b>		
	A	SS316	B	Option
		<b>Code</b>	<b>Connection Type</b>	
			(0) Thread Connection	
			(5) JIS 5K (10) JIS 10K (20) JIS 20K	
			(15) ANSI 150# (30) ANSI 300#	
			(40) ANSI 400# (60) ANSI 600#	
			(T) Other: _____	
			<b>Code</b>	<b>Protection Class</b>
			IP	IP65
			Ex.	Explosion Proof: CLASS I, GROUPS B, C & D; CLASS II, GROUPS E, F, & G; NEMA 4, 7, 9
			<b>Code</b>	<b>Flow direction</b>
			0	LH 10 RL
			5	HL 20 LR
			<b>Code</b>	<b>Fluid</b>
			G	Gas
			O	Oil
			L	Liquid
			<b>Code</b>	<b>Range</b>
			S	Standard range