

# METAL TUBE FLOW METER MF200E

## Technical Data

**MF200E for low flow of gas, liquid and steam**

**Material:** 316 stainless steel for case and body.

**Indication:** via magnetic coupling (no seals)

**Scales:** calibrated in l/h, m<sup>3</sup>/h, kg/h, %

**Flow rate:** water-0.4 l/h up to 6000 l/h

air-21 NL/h up to 150,000 NL/h

**Connection types:** BSP, NPT, flange type on request

**Working Temperature:**

Combine with electronic parts: -40°C~+150°C

Combine without electronic parts: -40°C~+180°C

**Working Pressure:** Standard 100 kg/cm<sup>2</sup>;

other options upon request

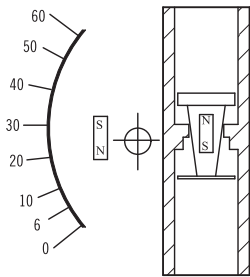
**Connection size:** 1/4" ~ 2"

**Protection Class:** IP65

**Accuracy:** ± 2% FS (± 1.6% FS option)



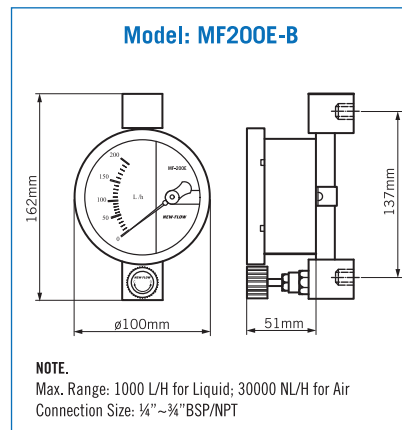
## Principle



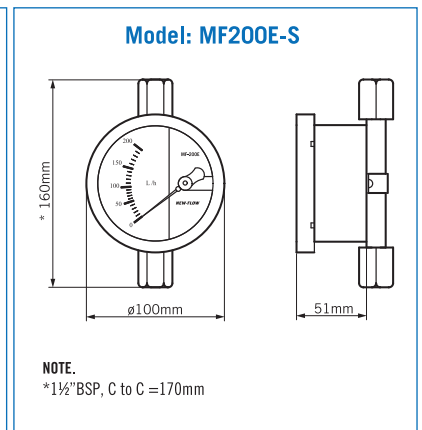
## Standard Scales

Tube	L/H 20°C Water	NL/H Air 20°C 1.013 bar	ΔPmm Water	BSP /NPT	Accuracy (NOTE 1.)
MF2001E	0.4 ~ 4	21 ~ 210	340	1/4"	±6% F.S
MF2002E	0.6 ~ 6	33~330	340	1/4"	±3% F.S
MF2003E	1 ~ 10	48~480	340	1/4"	±2% F.S
MF2004E	1.5 ~ 15	60~600	340	1/4"	±2% F.S
MF2005E	2 ~ 20	72~720	340	1/4"	±2% F.S
MF2006E	3 ~ 30	90~900	340	1/4"	±2% F.S
MF2007E	5 ~ 50	120~1200	340	1/4"	±2% F.S
MF2008E	6 ~ 60	180~1800	340	1/4"	±2% F.S
MF2009E	10 ~ 100	300~3000	340	1/4"	±2% F.S
MF2010E	15 ~ 150	500~5000	340	1/2"	±2% F.S
MF2011E	25 ~ 250	750~7500	340	1/2"	±2% F.S
MF2012E	40 ~ 400	1200~12000	340	1/2"	±2% F.S
MF2013E	60 ~ 600	1800~18000	340	1/2"	±2% F.S
MF2014E	75~750	2000~20000	340	3/4"	±2% F.S
MF2015E	100~1000	3000~30000	340	1"	±2% F.S
MF2016E	150~1500	5000~50000	450	1-1/2"	±2% F.S
MF2017E	200~2000	7500~75000	450	1-1/2"	±2% F.S
MF2018E	300~3000	9000~90000	450	1-1/2"	±2% F.S
MF2019E	350~3500	11000~110000	450	1-1/2"	±2% F.S
MF2020E	400~4000	12000~120000	450	1-1/2"	±2% F.S
MF2021E	600~6000	15000~150000	520	2" NPT only	±2% F.S

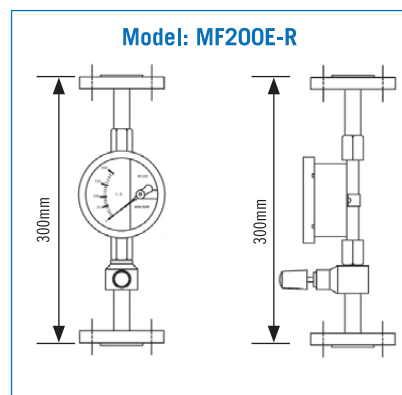
## Dimensions



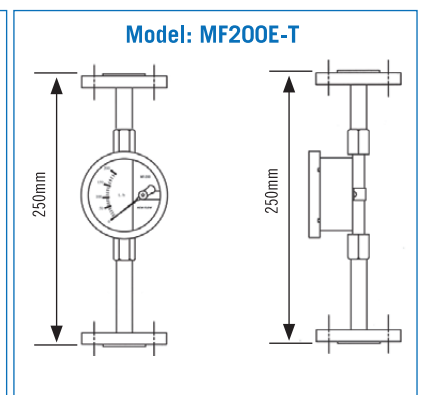
**MF200E-B**  
Basic Model:  
Rear connection + needle valve



**MF200E-S**  
Basic Model:  
Thread connection



**MF200E-R**  
Flange-needle Model:  
flange connection + needle valve

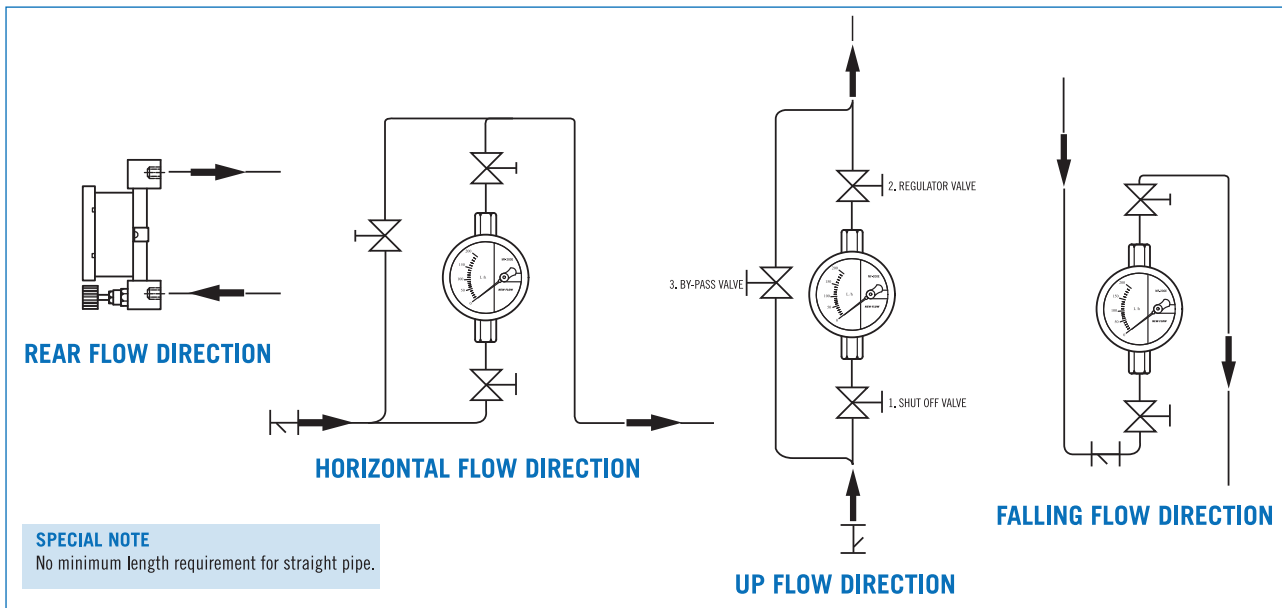


**MF200E-T**  
Flange Model:  
flange connection

### NOTE.

- The accuracy ±6% F.S for tube MF2001E; The accuracy ±3% F.S for tube MF2002E.  
The accuracy ±2% F.S for tube MF2003E~MF2021E and option ±1.6% F.S on request.
- Performance Technical Data are effective with date of issue and are subject to change without prior notice.

## Installation



## Ordering Information

MF200E	Code	Connection	Code	Connection size
	S	Thread connection	4B	1/4" BSP (Female)
	R	Connection with needle valve	4N	1/4" NPT (Female)
	T	Flange connection	2B	1/2" BSP (Female)
	B	Rear connection with needle valve	2N	1/2" NPT (Female)
		<b>Code</b> <b>Type</b>	6B	3/4" BSP (Female)
		G Indicating only	6N	3/4" NPT (Female)
		<b>Code</b> <b>Alarm</b>	1B	1" BSP (Female)
		0 Without alarm switch	1N	1" NPT (Female)
		<b>Code</b> <b>Body material</b>	15B	1 1/2" BSP (Female)
		A SS316	15N	1 1/2" NPT (Female)
		<b>Code</b> <b>Float &amp; Wetted part material</b>	20B	2" BSP (Female)
		A SS316	20N	2" NPT (Female)
		<b>Code</b> <b>Connection rating</b>	2F	1/2" Flange
		0 Thread connection	6F	3/4" Flange
		5 JIS 5K	10F	1" Flange
		10 JIS 10K	15F	1 1/2" Flange
		20 JIS 20K	20F	2" Flange
		15 ANSI 150#		<b>Code</b> <b>Protection Class</b>
		30 ANSI 300#		IP IP65
		40 ANSI 400#		<b>Code</b> <b>Fluid</b>
		60 ANSI 600#		G Gas
		T Other: _____		O Oil
				L Liquid
				S Steam
				<b>Code</b> <b>Range</b>
				S Standard range
				Please directly fill out the flow range in the order code.

### NOTE:

1. Custom-made flow range and flange size upon request.
2. Please fill in the ordering information and service condition, and fax this sheet along with your inquiry to 886-7-8225588.

### Special instruction, if any:

\_\_\_\_\_

\_\_\_\_\_

\_\_\_\_\_

### Service Condition:

Fluid name: \_\_\_\_\_

Sp. Gr. (density): \_\_\_\_\_

Viscosity: \_\_\_\_\_

Press.: \_\_\_\_\_

Temp.: \_\_\_\_\_

Full scale: \_\_\_\_\_